

The 120V B10 EmeryAllen retrofit lamp is an energy efficient alternative to incandescent E12 base lamps. It offers similar light output to a 120V, 60W incandescent (500lm) and is suitable for use in most 120V E12 base fixtures.

Base Type	E12
Material	Glass + Aluminum
Input Voltage	100-130V AC
Wattage	5.0
CRI	80
Brightness	500 lumens
Lumens/Watt	100
Color Temperature	2700K & 3000K
Halogen Equivalent	60W
Beam Angle	360 degrees
Life	15,000 hours
Warranty	2 Years*

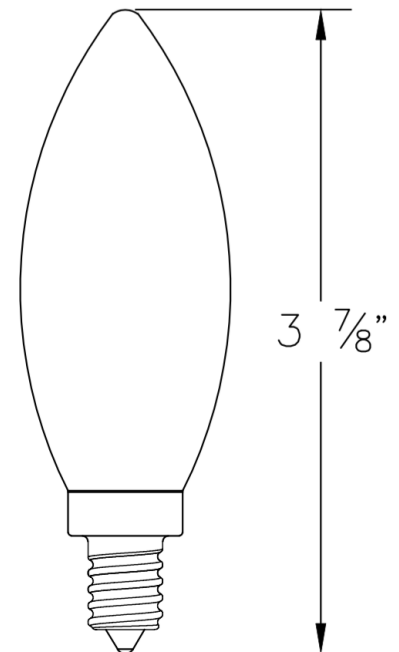
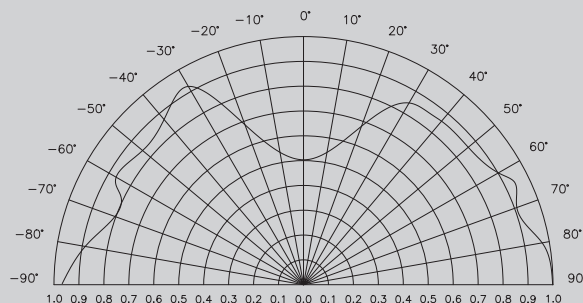
Available Models:

- EA-B10-5.0W-2780-D (2700K)
- EA-B10-5.0W-3080-D (3000K)

Dimming:

- Dimmable with most incandescent and LED dimmers.

Light Distribution



DAMP LOCATION & ENCLOSED FIXTURE