

The 12V EmeryAllen MR16 retrofit lamp is an energy efficient alternative to 12V halogen MR16 lamps. It offers similar light output to a 12V, 50W incandescent (450-550lm) and is suitable for use in most 12V GU5.3 MR16 fixtures.

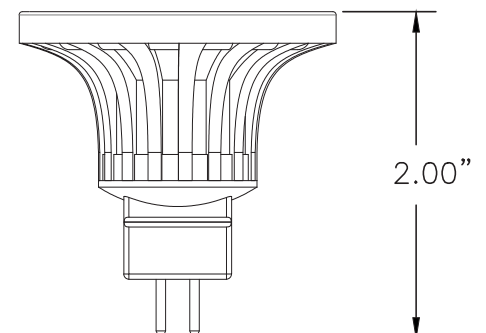
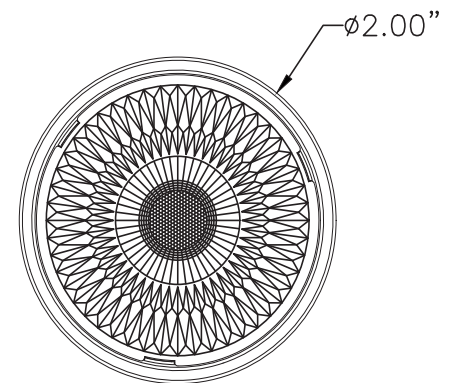
<b>Base Type</b>	GU5.3
<b>Material</b>	Ceramic + PC
<b>Input Voltage</b>	12V AC
<b>Wattage</b>	7.0
<b>Volt-Amperes (VA)</b>	7.320W
<b>CRI</b>	90+
<b>Lumens</b>	503 lumens
<b>Lumens/Watt</b>	78
<b>CBCP</b>	2430
<b>Color Temperature</b>	2700K & 3000K
<b>R9</b>	55
<b>R13</b>	96
<b>Halogen Equivalent</b>	50W

#### Available Models:

- EA-MR16-7.0W-15D-2790-D (2700K)
- EA-MR16-7.0W-15D-3090-D (3000K)

#### Dimming:

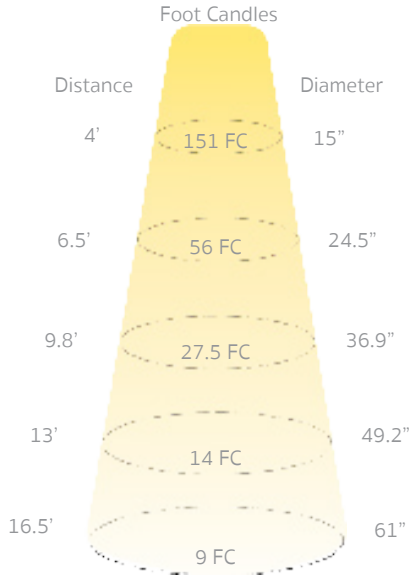
- Dimmable with most magnetic and electronic LED compatible transformers. AC current only.
- Dimmable with most MLV and ELV dimmers.



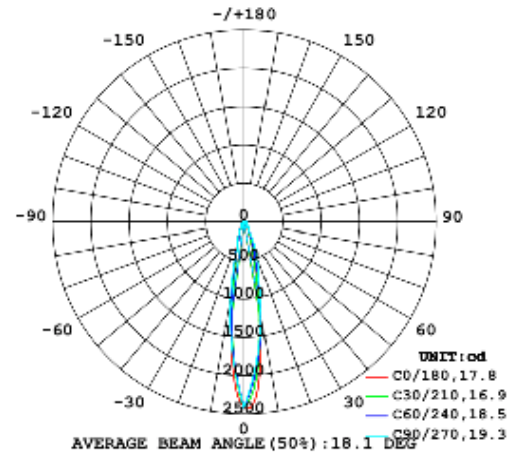
DAMP LOCATION & ENCLOSED FIXTURE

# EA EmeryAllen GU5.3 MR16 7.0W - 15°

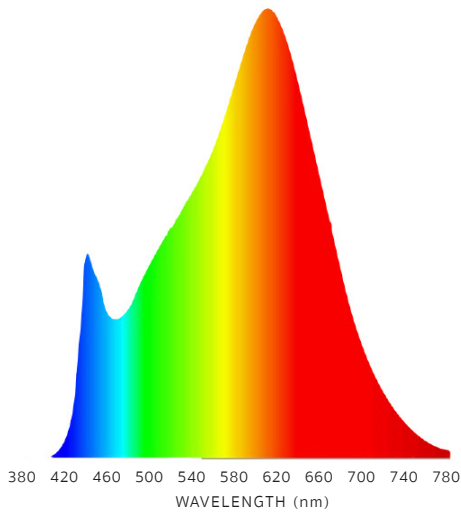
## CANDELA DISTRIBUTION



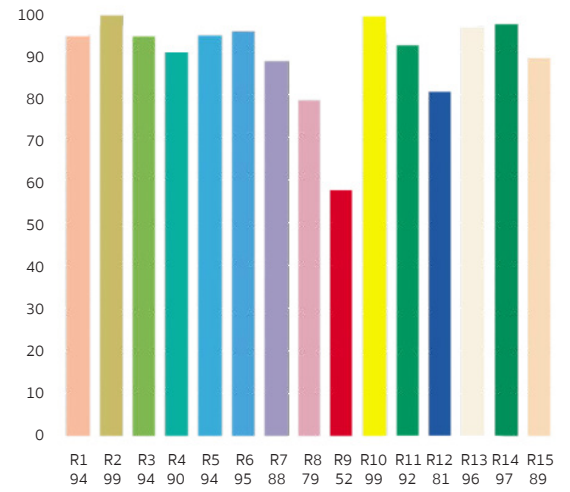
## LUMINOUS INTENSITY



## SPECTRAL DISTRIBUTION



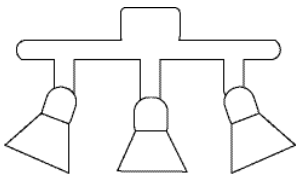
## CRI VALUES | R1-R15



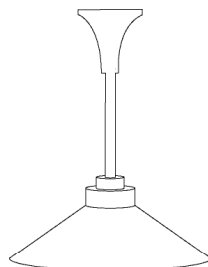
## APPLICATIONS

Because of their small size, ability to be enclosed and numerous combinations of options, our MR16 can be used in a variety of applications. Here are a few common ones.

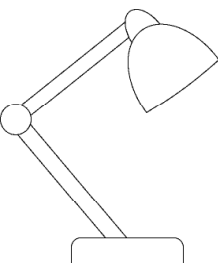
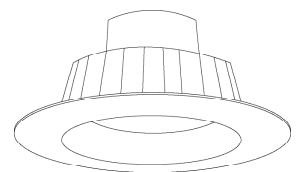
### TRACK LIGHTING



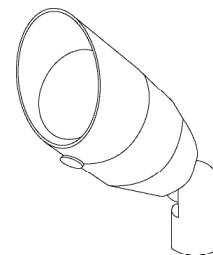
### PENDANTS



### RECESSED LIGHTING



### TASK LIGHTING



### LANDSCAPE LIGHTING

The 12V EmeryAllen MR16 retrofit lamp is an energy efficient alternative to 12V halogen MR16 lamps. It offers similar light output to a 12V, 50W incandescent (450-550lm) and is suitable for use in most 12V GU5.3 MR16 fixtures.

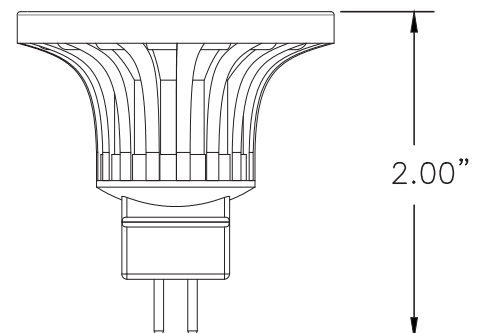
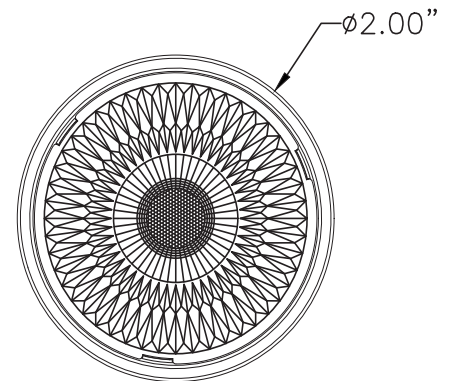
<b>Base Type</b>	GU5.3
<b>Material</b>	Ceramic + PC
<b>Input Voltage</b>	12V AC
<b>Wattage</b>	7.0
<b>Volt-Amperes (VA)</b>	7.320W
<b>CRI</b>	90+
<b>Lumens</b>	507 lumens
<b>Lumens/Watt</b>	78
<b>CBCP</b>	1434
<b>Color Temperature</b>	2700K & 3000K
<b>R9</b>	55
<b>R13</b>	96
<b>Halogen Equivalent</b>	50W

#### Available Models:

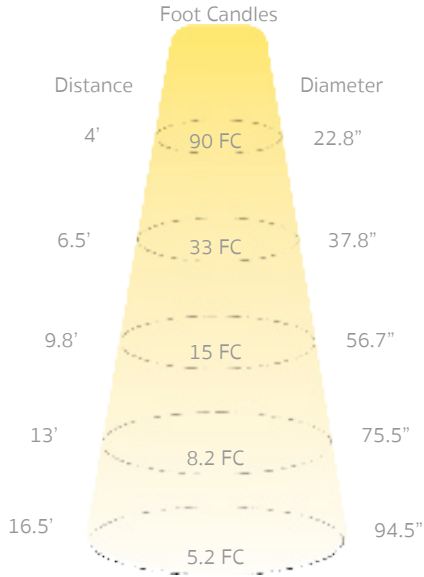
- EA-MR16-7.0W-24D-2790-D (2700K)
- EA-MR16-7.0W-24D-3090-D (3000K)

#### Dimming:

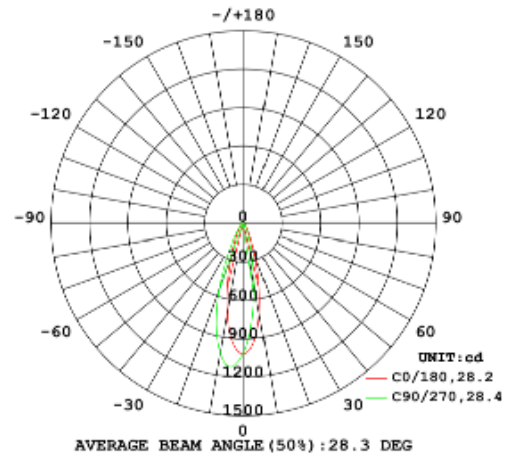
- Dimmable with most magnetic and electronic LED compatible transformers. AC current only.
- Dimmable with most MLV and ELV dimmers.



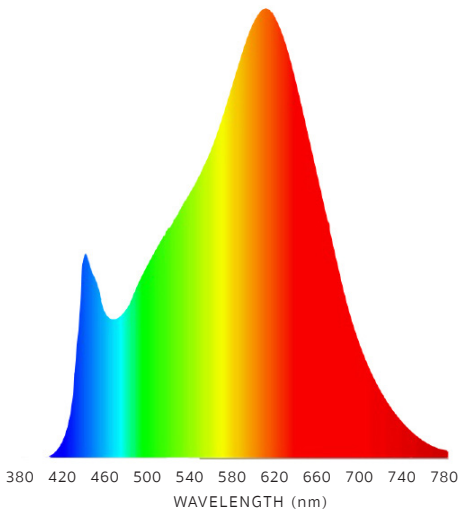
## CANDELA DISTRIBUTION



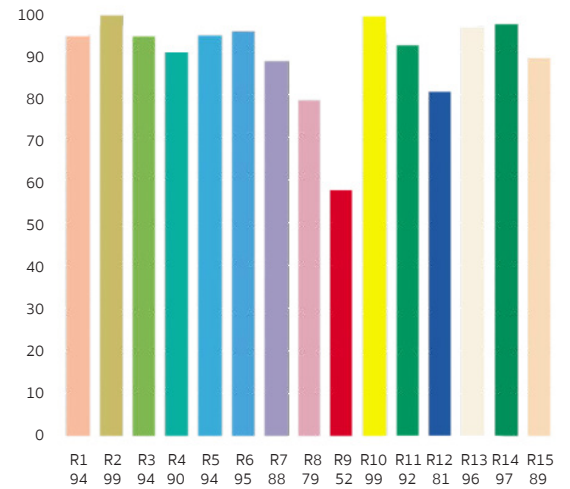
## LUMINOUS INTENSITY



## SPECTRAL DISTRIBUTION



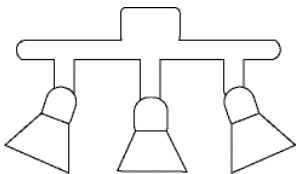
## CRI VALUES | R1-R15



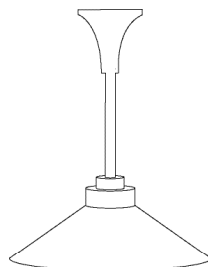
## APPLICATIONS

Because of their small size, ability to be enclosed and numerous combinations of options, our MR16 can be used in a variety of applications. Here are a few common ones.

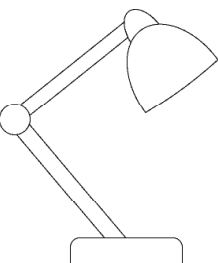
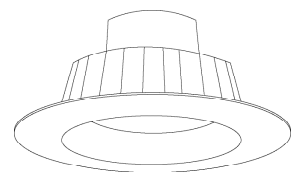
TRACK LIGHTING



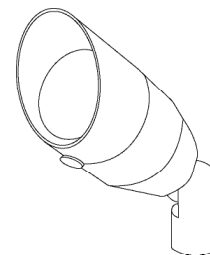
PENDANTS



RECESSED LIGHTING



TASK LIGHTING



LANDSCAPE LIGHTING

The 12V EmeryAllen MR16 retrofit lamp is an energy efficient alternative to 12V halogen MR16 lamps. It offers similar light output to a 12V, 50W incandescent (450-550lm) and is suitable for use in most 12V GU5.3 MR16 fixtures.

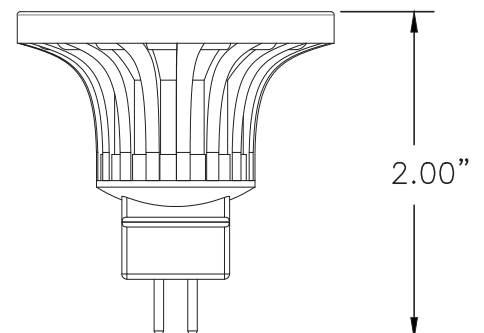
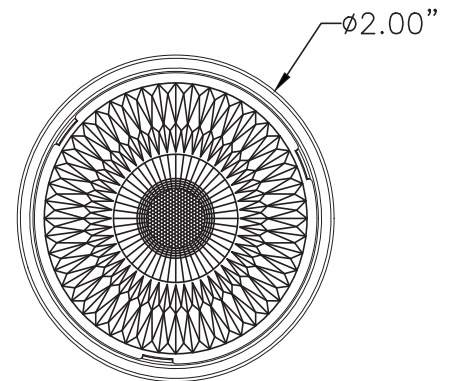
<b>Base Type</b>	GU5.3
<b>Material</b>	Ceramic + PC
<b>Input Voltage</b>	12V AC
<b>Wattage</b>	7.0
<b>Volt-Amperes (VA)</b>	7.320W
<b>CRI</b>	90+
<b>Lumens</b>	509 lumens
<b>Lumens/Watt</b>	79
<b>CBCP</b>	870
<b>Color Temperature</b>	2700K & 3000K
<b>R9</b>	55
<b>R13</b>	96
<b>Halogen Equivalent</b>	50W

#### Available Models:

- EA-MR16-7.0W-36D-2790-D (2700K)
- EA-MR16-7.0W-36D-3090-D (3000K)

#### Dimming:

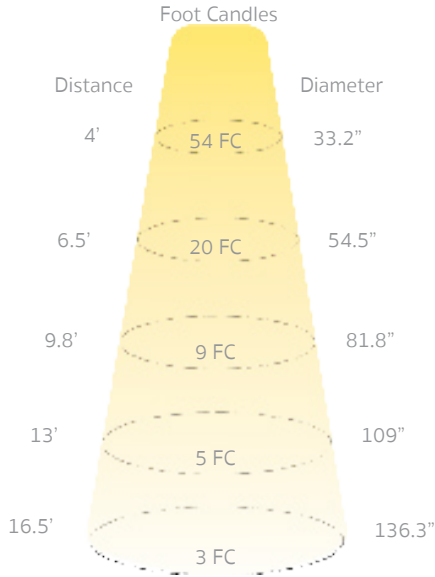
- Dimmable with most magnetic and electronic LED compatible transformers. AC current only.
- Dimmable with most MLV and ELV dimmers.



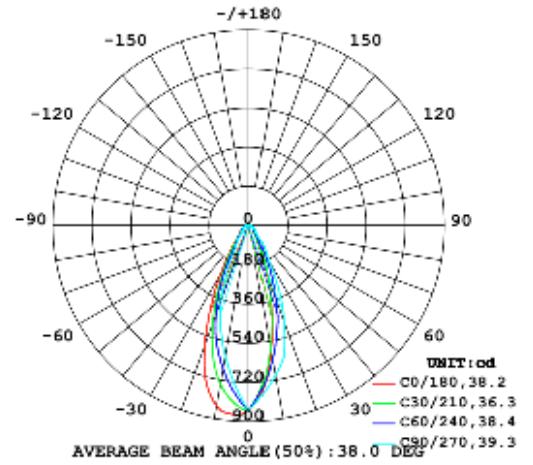


# EmeryAllen GU5.3 MR16 7.0W - 36°

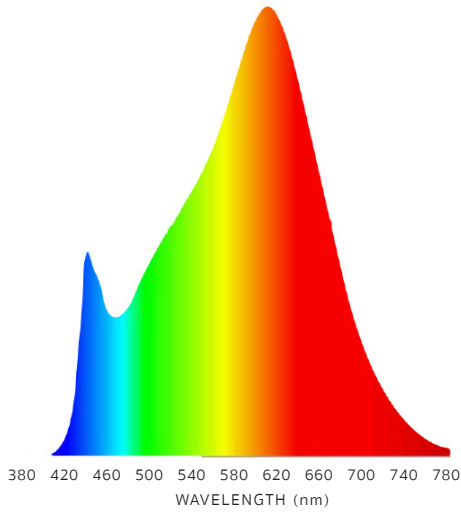
## CANDELA DISTRIBUTION



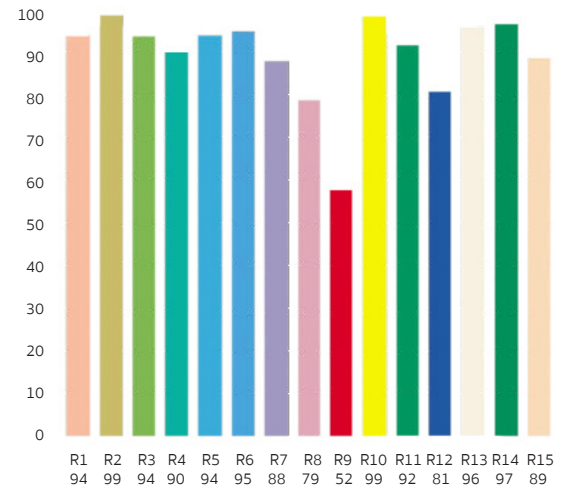
## LUMINOUS INTENSITY



## SPECTRAL DISTRIBUTION



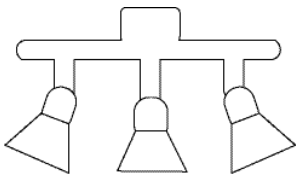
## CRI VALUES | R1-R15



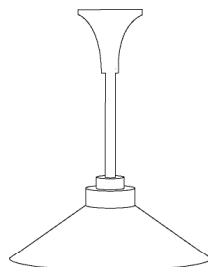
## APPLICATIONS

Because of their small size, ability to be enclosed and numerous combinations of options, our MR16 can be used in a variety of applications. Here are a few common ones.

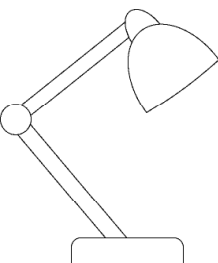
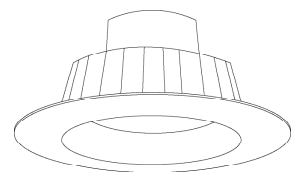
TRACK LIGHTING



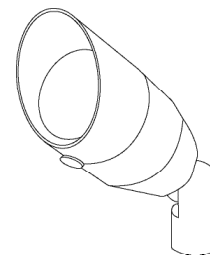
PENDANTS



RECESSED LIGHTING



TASK LIGHTING



LANDSCAPE LIGHTING

The 12V EmeryAllen MR16 retrofit lamp is an energy efficient alternative to 12V halogen MR16 lamps. It offers similar light output to a 12V, 50W incandescent (450-550lm) and is suitable for use in most 12V GU5.3 MR16 fixtures.

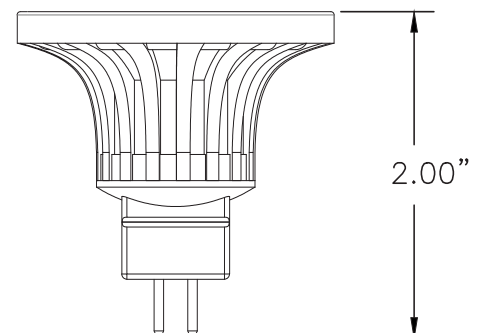
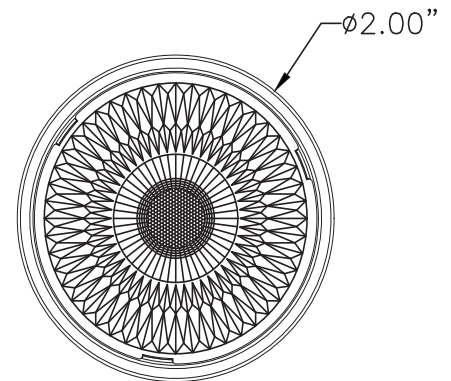
<b>Base Type</b>	GU5.3
<b>Material</b>	Ceramic + PC
<b>Input Voltage</b>	12V AC
<b>Wattage</b>	7.0
<b>Volt-Amperes (VA)</b>	7.320W
<b>CRI</b>	90+
<b>Lumens</b>	512 lumens
<b>Lumens/Watt</b>	79
<b>CBCP</b>	420
<b>Color Temperature</b>	2700K & 3000K
<b>R9</b>	55
<b>R13</b>	96
<b>Halogen Equivalent</b>	50W

#### Available Models:

- EA-MR16-7.0W-60D-2790-D (2700K)
- EA-MR16-7.0W-60D-3090-D (3000K)

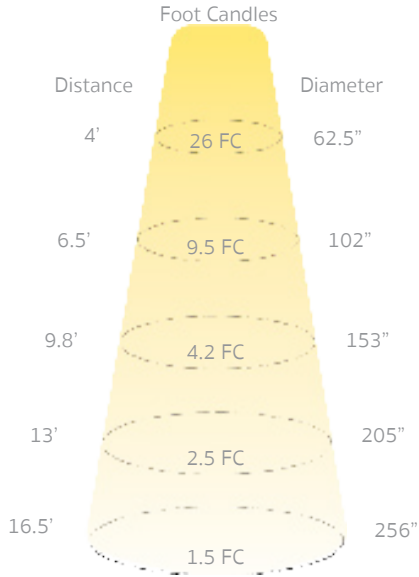
#### Dimming:

- Dimmable with most magnetic and electronic LED compatible transformers. AC current only.
- Dimmable with most MLV and ELV dimmers.

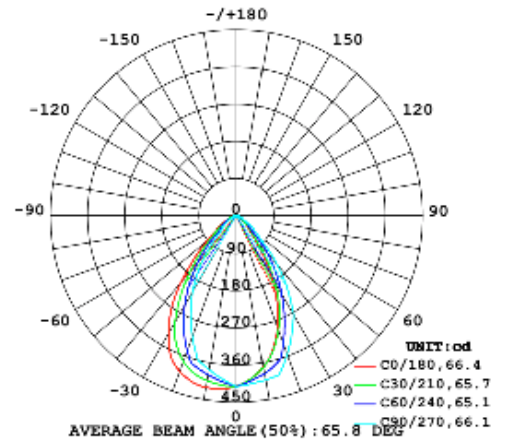




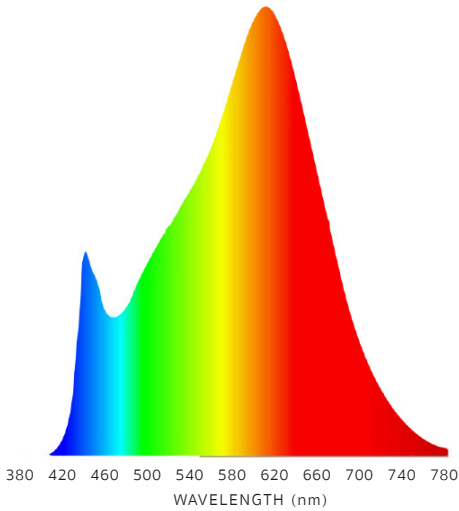
## CANDELA DISTRIBUTION



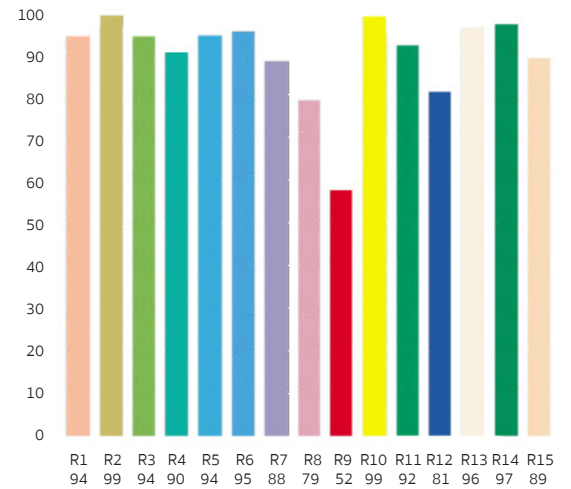
## LUMINOUS INTENSITY



## SPECTRAL DISTRIBUTION



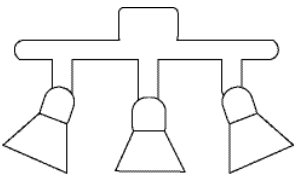
## CRI VALUES | R1-R15



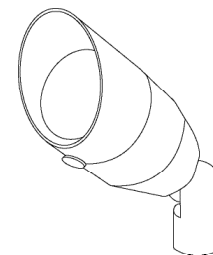
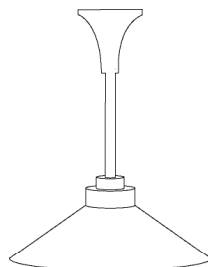
## APPLICATIONS

Because of their small size, ability to be enclosed and numerous combinations of options, our MR16 can be used in a variety of applications. Here are a few common ones.

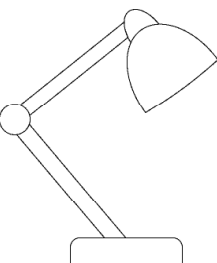
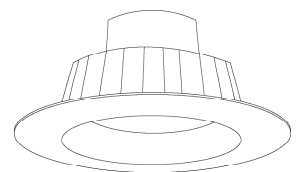
### TRACK LIGHTING



### PENDANTS



### RECESSED LIGHTING



### TASK LIGHTING

### LANDSCAPE LIGHTING



The 12V EmeryAllen MR16 retrofit lamp is an energy efficient alternative to 12V halogen MR16 lamps. It offers similar light output to a 12V, 50W incandescent (450-550lm) and is suitable for use in most 12V GU5.3 MR16 fixtures.

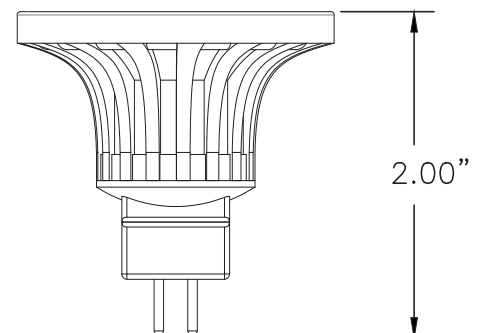
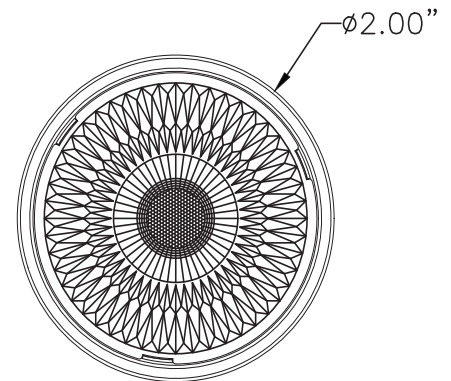
<b>Base Type</b>	GU5.3
<b>Material</b>	Ceramic + PC
<b>Input Voltage</b>	12V AC
<b>Wattage</b>	7.0
<b>Volt-Amperes (VA)</b>	7.320W
<b>CRI</b>	90+
<b>Lumens</b>	523 lumens
<b>Lumens/Watt</b>	81
<b>CBCP</b>	439
<b>Color Temperature</b>	2700K & 3000K
<b>R9</b>	55
<b>R13</b>	96
<b>Halogen Equivalent</b>	50W

#### Available Models:

- EA-MR16-7.0W-120D-2790-D (2700K)
- EA-MR16-7.0W-120D-3090-D (3000K)

#### Dimming:

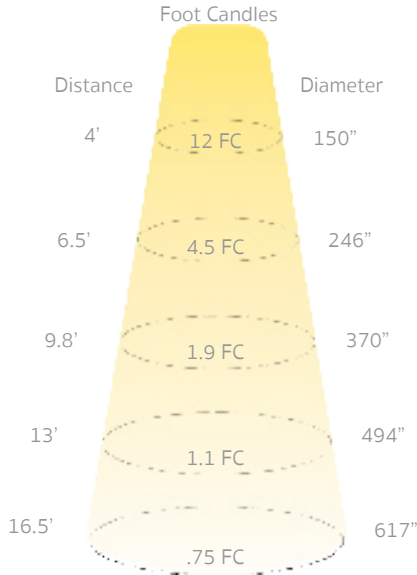
- Dimmable with most magnetic and electronic LED compatible transformers. AC current only.
- Dimmable with most MLV and ELV dimmers.



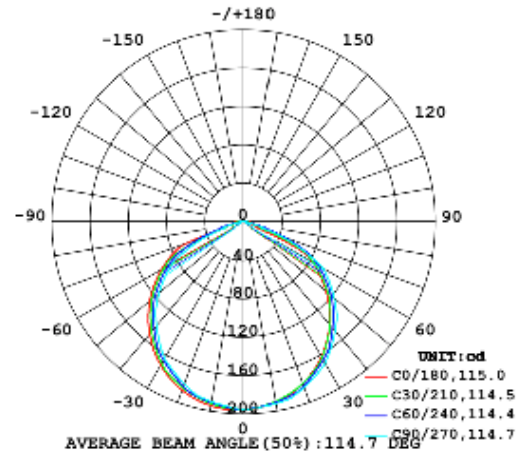


# EmeryAllen GU5.3 MR16 7.0W - 120°

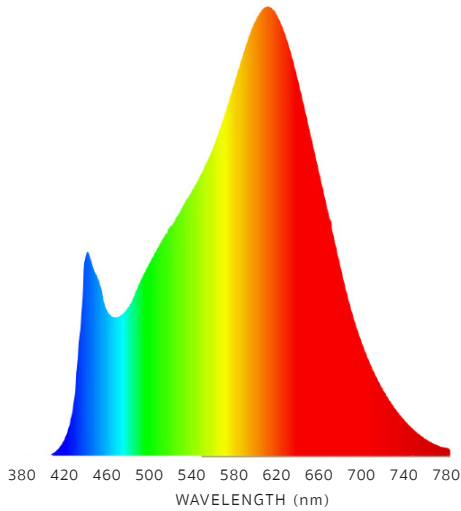
## CANDELA DISTRIBUTION



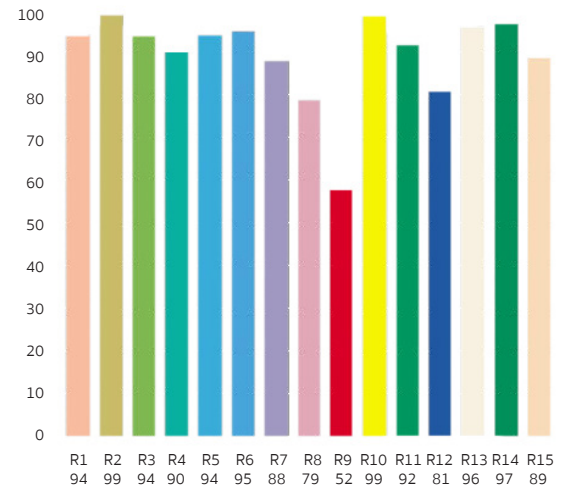
## LUMINOUS INTENSITY



## SPECTRAL DISTRIBUTION



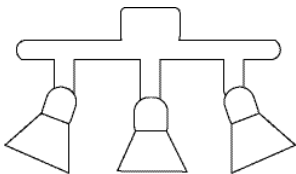
## CRI VALUES | R1-R15



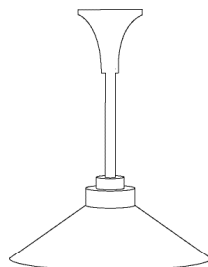
## APPLICATIONS

Because of their small size, ability to be enclosed and numerous combinations of options, our MR16 can be used in a variety of applications. Here are a few common ones.

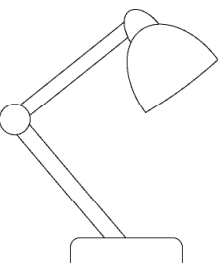
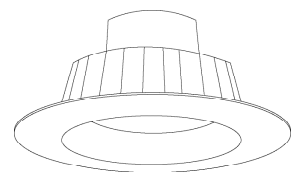
### TRACK LIGHTING



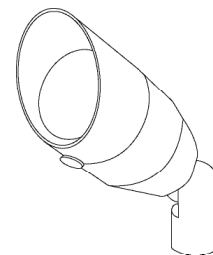
### PENDANTS



### RECESSED LIGHTING



### TASK LIGHTING



### LANDSCAPE LIGHTING