

The 120V EmeryAllen PAR16 retrofit lamp is an energy efficient alternative to 120V halogen PAR16 lamps. It offers similar light output to a 120V, 50W incandescent (450-550lm) and is suitable for use in most 120V PAR16 fixtures.

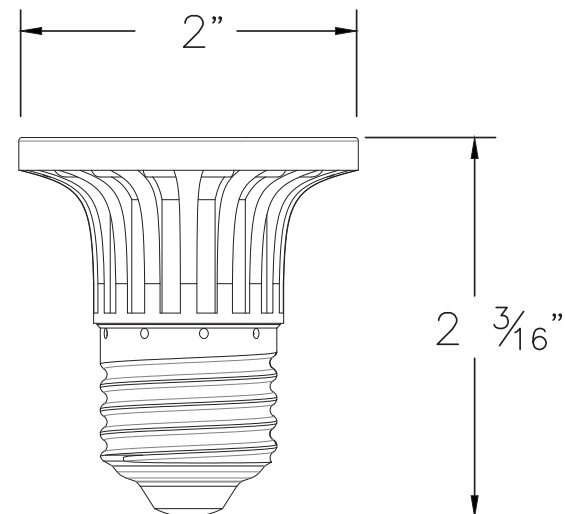
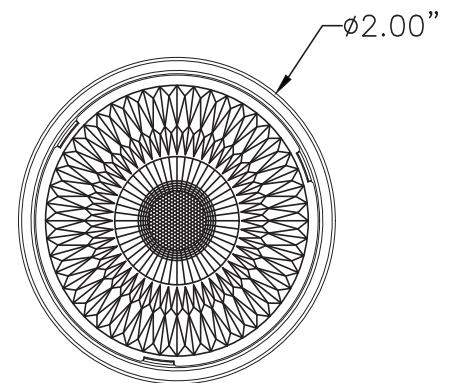
<b>Base Type</b>	E26
<b>Material</b>	Ceramic + PC
<b>Input Voltage</b>	120V AC
<b>Wattage</b>	7.0
<b>Volt-Amperes (VA)</b>	6.240W
<b>CRI</b>	90+
<b>Lumens</b>	520 lumens
<b>Lumens/Watt</b>	84
<b>CBCP</b>	930
<b>Color Temperature</b>	2700K & 3000K
<b>R9</b>	55
<b>R13</b>	96
<b>Halogen Equivalent</b>	50W

#### Available Models:

- EA-PAR16-7.0W-36D-2790-D (2700K)
- EA-PAR16-7.0W-36D-3090-D (3000K)

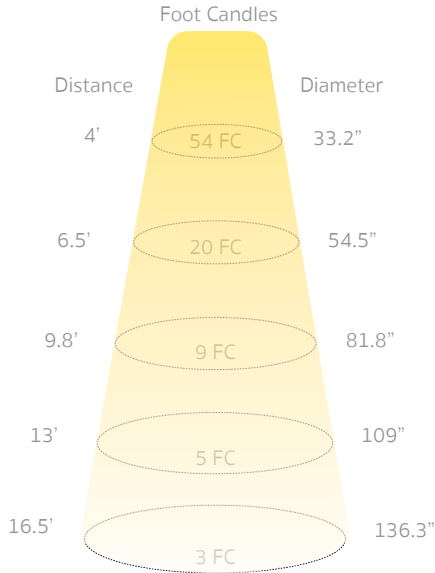
#### Dimming:

- Dimmable with most incandescent and LED dimmers.

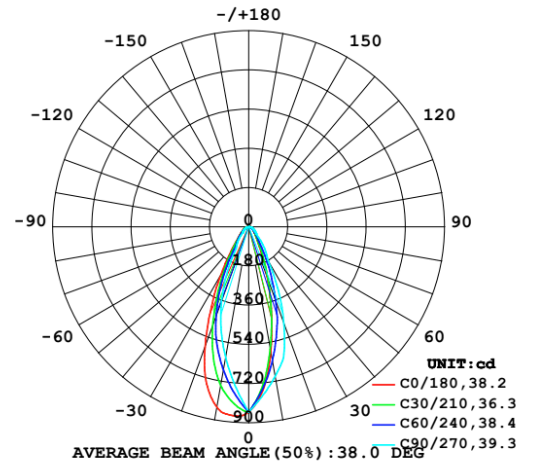


# EA EmeryAllen PAR16 7.0W - 36°

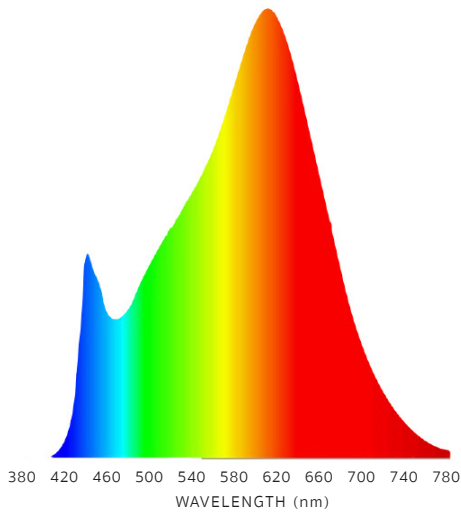
## CANDELA DISTRIBUTION



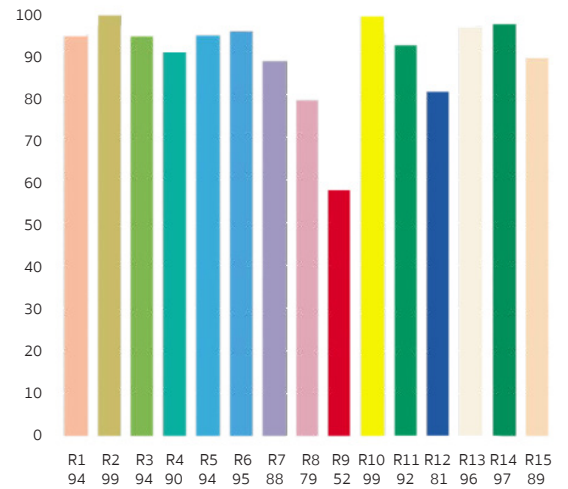
## LUMINOUS INTENSITY



## SPECTRAL DISTRIBUTION



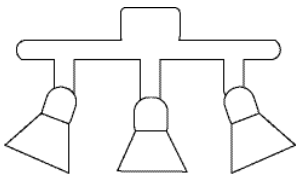
## CRI VALUES | R1-R15



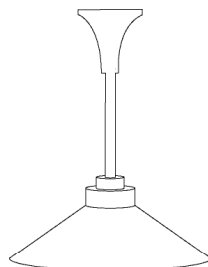
## APPLICATIONS

Because of their small size, ability to be enclosed and numerous combinations of options, our MR16 can be used in a variety of applications. Here are a few common ones.

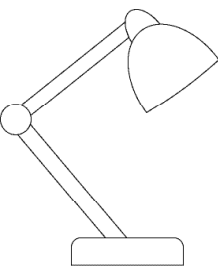
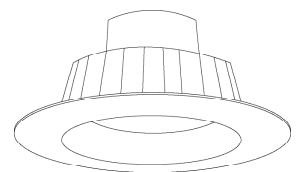
TRACK LIGHTING



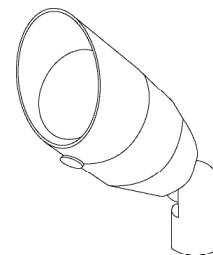
PENDANTS



RECESSED LIGHTING



TASK LIGHTING



LANDSCAPE LIGHTING