

T10 6.0W 300 DTW LED FILAMENT

SPECIFICATIONS & TECHNICAL DATA

The 120V EmeryAllen T10 DTW (Dim to Warm) bulb offers dimmer controlled color temperature adjustment. This smooth temperature transition mimics the natural color shift of dimmed incandescent bulbs.

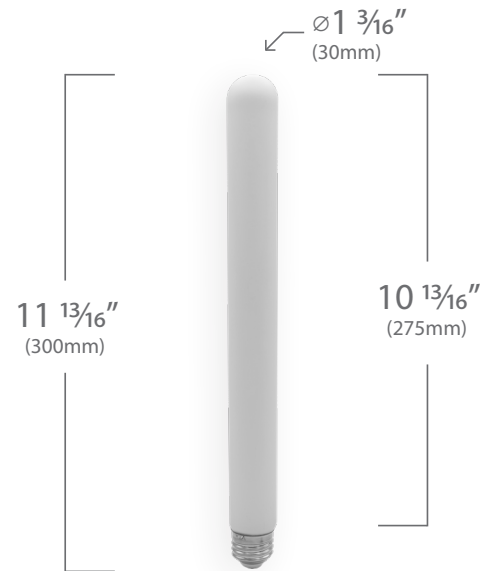
Base Type	E26
Material	Glass + Aluminum
Input Voltage	100-130V AC
Wattage	5.92
Volt-Amperes (VA)	7.18
CRI	95.7
Brightness	400 lumens
Lumens/Watt	67.56
Color Temperature	1800K - 2700K
R9	81.84
Halogen Equivalent	70W
Beam Angle	360 degrees
Life	15,000 hours
Warranty	Limited Lifetime*

Available Models:

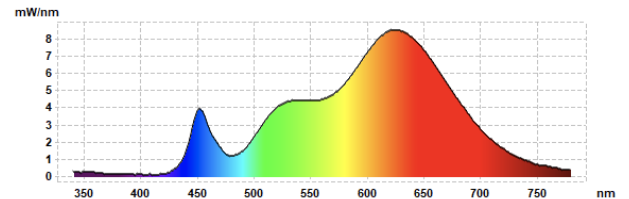
- EA-T10-6.0W-E26-300-DTW-2718W (1800K-2700K)

Dimming:

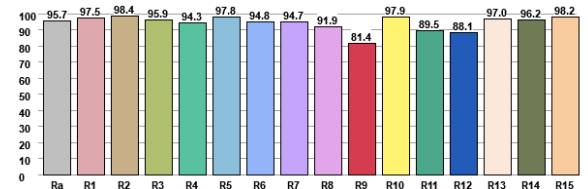
Dimmable with most incandescent and LED dimmers.



SPECTRAL DISTRIBUTION



CRI VALUES R1-R15



TM30 VECTOR

